

# AMG265M SERIES INDUSTRIAL MAINS POWERED MINI MEDIA CONVERTER WITH OPTIONAL 30/60/90W POE



## Industrial Ethernet Solutions

AMG's mains powered mini media converters provide a multirate 100Mb/Gigabit Ethernet uplink over fiber via the SFP port with optional 30W or 60/90W PoE. Additional features are supported by user-configurable DIP switches for advanced functionality.



Gigabit x1	Gigabit x1	Gigabit x1	100/1000 x1	Temp -30~+70°C	Protection IP40	Mounting DIN/Surface	Mounting Magnetic	PSU Mains	Input IEC C14	NDAA/TAA Compliant

[ AMG265M Series ]

### / OVERVIEW

Designed in an ultra compact DIN rail or wall mount housing, the AMG265M series miniature mains powered media converters are ideally suited for connecting equipment to Ethernet networks over long distances using all types of fiber through the integrated SFP port. Fiber connectivity is determined by separate SFP device selection, providing application and site flexibility.

Available in both non-PoE models as well as PoE models for IEEE802.3at 30W or IEEE802.3bt 60/90W they are suitable for powering the latest high powered PoE devices over a wide industrial operating temperature range. Fitted with an integrated fully industrial mains power supply supporting either 30W or 60/90W PoE power.

User selectable DIP switches allow for configuration of the intelligent link fault pass-through feature for remote end failure detection as well as remote device reset to allow end device reboots from the control room and 250M extended distance mode on the RJ45 port.

A wide range of models are available to suit all design requirements and are fully compatible with all of the AMG250/260 model range.

### / FEATURES

- Ultra compact size – ideal for confined spaces, including camera housings and roadside cabinets
- -30°C to +70/75°C temperature maintains performance in extreme conditions
- DIN rail or wall mountable - quick to install and remove for maintenance (an optional magnetic mount is also available)
- All SFP ports are multirate 100Mb/Gigabit – support single and multimode, single or dual fiber options up to 120Km
- DIP switch selection of link fault pass-through, remote device reset and extended distance modes
- Supports optional 15W, 30W, 60W and 90W PoE
- Integrated mains power supply with 12V<sub>DC</sub> @ 10W, 52V<sub>DC</sub> @ 30W or 52V<sub>DC</sub> @ 90W output
- Designed in the USA & UK. Manufactured in the United Kingdom
- AMG Lifetime Support Warranty

# Specifications.

## Standards.

IEEE802.3i	10Base-T
IEEE802.3u	100Base-TX & 100Base-FX
IEEE802.3ab	1000Base-T
IEEE802.3z	1000Base-X
IEEE802.3af	15W PoE
IEEE802.3at	30W PoE+
IEEE802.3bt	60 & 90W PoE
IEEE802.3x	Flow Control

Jumbo Frames	9.2Kbytes
Address Table	2K MAC Entries

## Interface.

LED Indicators	1x Power SFP Link/Activity RJ45 Link/Activity PoE Alarm
RJ45 Ports	1x 10/100TX RJ45 or 1x 10/100/1000T(X) RJ45 with Auto MDI/MDI-X and 2 kV Isolation Protection
SFP Slot	1x 100/1000FX SFP
Mains Power	1x IEC C14 Socket or 1x 3-Way Screw Terminal

## Switches.

Switch	1x 4 Position DIP Switch
Switch Functions	Link Fault Pass-Through Mode Remote Reset Mode Extended Distance Mode

## Power.

Power Inputs	1
Input Voltage	85-264V <sub>AC</sub> or 120-370V <sub>DC</sub>
Input Frequency	47-63 Hz
Input Current	2A (115V <sub>AC</sub> ) / 1A (230V <sub>AC</sub> )
Power Consumption	2.5W Max (without PoE Load)
Integrated PSU Type:	12V <sub>DC</sub> @ 10W 52V <sub>DC</sub> @ 30W 52V <sub>DC</sub> @ 90W (Refer to derating chart)
PSE Modes	Mode A, Mode B
Protection	Overload Current

## Packaging.

Shipping Weight	0.80kg / 1.76lb
Dimensions	(W x D x H) 220 x 175 x 54 mm 8.66 x 6.89 x 2.13 in

## Mechanical.

Housing	Anodised Aluminium
Dimensions:	(W x D x H) 38 x 110 x 84 mm 1.50 x 4.33 x 3.31 in
Excluding DIN & Wall Mounts	
IP Rating	IP40
Installation	Wall Mount or DIN-Rail Optional Magnetic Mounts
Weight	0.48kg / 1.06lb

## Environmental.

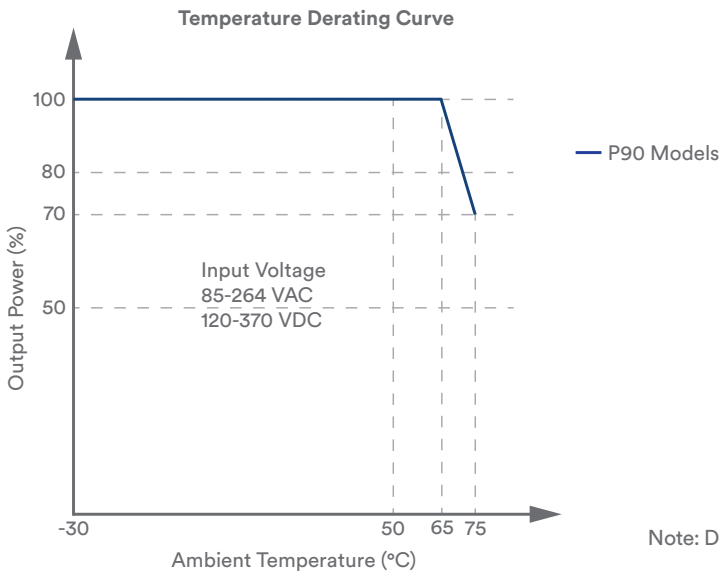
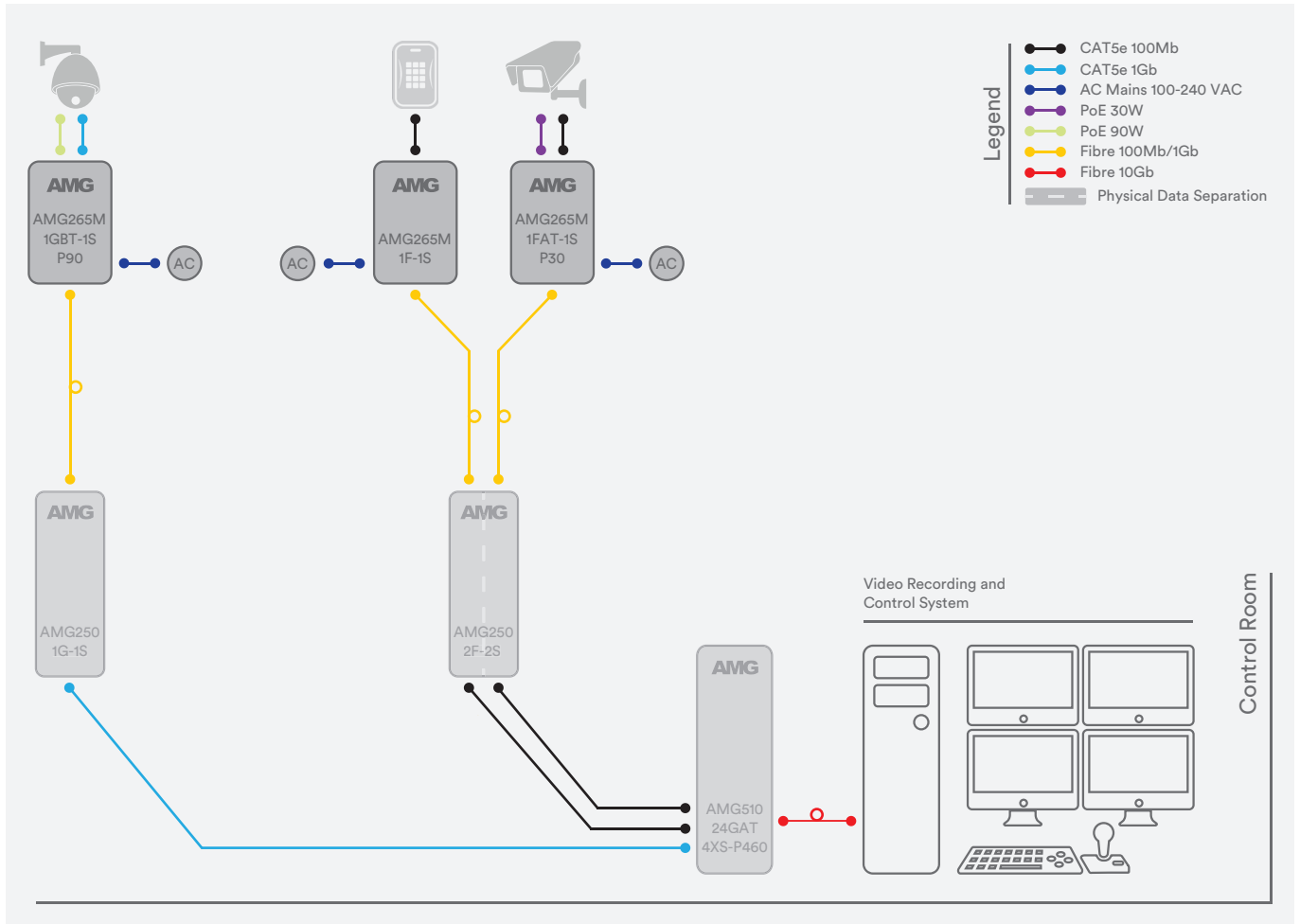
Operating Temp:	Non-PoE & 30W PoE Models: -30 to +70°C / -22 to +158°F 90W PoE Models: -30 to +75°C / -22 to +167°F
Storage Temp.	-40 to +85°C / -40 to +185°F
Humidity	20% to 90% (non-condensing)
MTBF	>470,200 hours
MTBF Standard	MIL-HDBK-217F GF 25°C
Heat Dissipation	7 BTU/h (Non-PoE) 109 BTU/h (30W PoE) 314 BTU/h (90W PoE)
Cooling	Passive Cooling
Noise Level	0 dBA

## Regulatory.

Safety	EN 62368-1 Class I
EMI	EN 55032 Class B CISPR 32 FCC Part 15B Class B
EMS	EN 61000-4-2 (ESD) EN 61000-4-3 (RS) EN 61000-4-4 (EFT) EN 61000-4-5 (Surge) EN 61000-4-6 (CS) EN 61000-4-11 (Dips)
Shock	IEC 60068-2-27
Free Fall	IEC 60068-2-32
Vibration	IEC 60068-2-6
Environmental	Reach, RoHS, WEEE
Supply Chain	NDA & TAA Compliant

Designed to meet NEMA TS2 & EN 50121-4

# Application Diagram.



Note: Derating Chart Applies To 90W Models Only

# Part Numbers.

## Single Channel Mini Mains Powered Non-PoE Media Converters (1+1)

AMG265M-1F-1S	1 × 10/100BaseT(x) RJ45, 1 × 100/1000BaseFx SFP, Mini, 10W PSU
AMG265M-1G-1S	1 × 10/100/1000BaseT(x) RJ45, 1 × 100/1000BaseFx SFP, Mini, 10W PSU

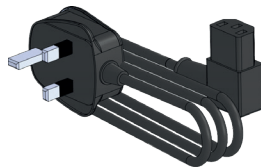
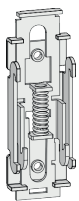
## Single Channel Mini Mains Powered PoE Media Converters (1+1)

AMG265M-1FAT-1S-P30	1 × 10/100BaseT(x) RJ45 with 30W PoE+, 1 × 100/1000BaseFx SFP, Mini, 30W PSU
AMG265M-1FBT-1S-P90	1 × 10/100BaseT(x) RJ45 with 60/90W PoE, 1 × 100/1000BaseFx SFP, Mini, 90W PSU
AMG265M-1GAT-1S-P30	1 × 10/100/1000BaseT(x) RJ45 with 30W PoE+, 1 × 100/1000BaseFx SFP, Mini, 30W PSU
AMG265M-1GBT-1S-P90	1 × 10/100/1000BaseT(x) RJ45 with 60/90W PoE, 1 × 100/1000BaseFx SFP, Mini, 90W PSU

All of the above model numbers ship with an IEC C14 mains connector on the product as standard.  
 For the optional Screw Terminal Block mains connector add **-T** to the end of the part code. Example: **AMG265M-1GBT-1S-P90-T**

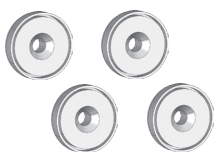
# Included Accessories.

- DIN Rail Adapter
- Wall Mount Adapter
- Mains Cable
- Rear/Side/Bottom Mounted Metal DIN Rail Clip & Screws For DIN Rail Mounting AMG265M Series Products
- Rear/Side/Bottom Mounted Wall Mounting Plate & Screws For Wall / Surface Mounting AMG265M Series Products
- Region Specific UK/EU/US IEC or Stripped End Line Cord For AMG265M Series Products



# Optional Accessories.

- AMGMNT-MAG-04
- LINECORD-IEC-LOCK
- SFP Modules
- 4x Rear/Side/Bottom Mounted Magnets & Screws Kit For AMG265M Series, need to be ordered separately
- Region Specific UK/EU/US Secure Locking IEC Line Cord For AMG265M Series Products, need to be ordered separately
- 100Mb & 1Gb Optical/Copper Modules see separate list, need to be ordered separately



*In a continuing effort to improve and advance technology, product specifications are subject to change without notice. Please visit [www.amgsystems.com](http://www.amgsystems.com) for the latest product specifications.*

Proud to be a British  
 Manufacturer

