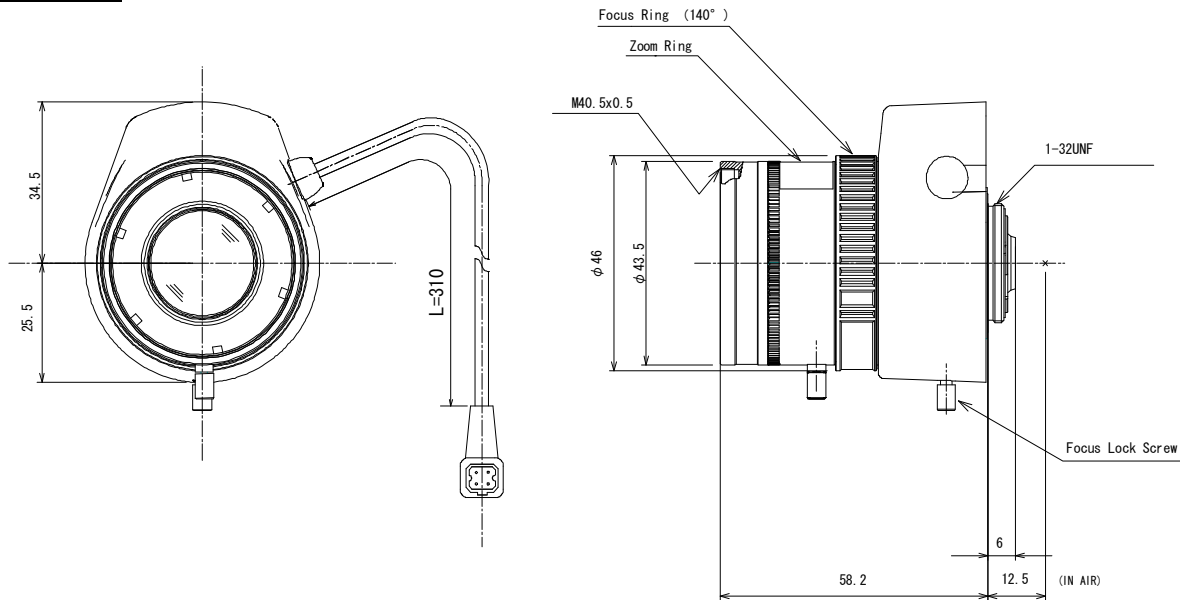


AG4Z1214KCS-MPIR

4X 12.5mm-50mm F1.4 Day & Night
for 1/2.7 type Megapixel Cameras, Vari-focal Auto Iris Stepping Motor
CS-Mount

| | | | | | | | |
|-----------------------|-------|------------------------------|--------------|---------------------|--------------|-------------------------------|--------------|
| Model No. | | AG4Z1214KCS-MPIR | | Effective | Front | ϕ 21.7mm | |
| Focal Length | | 12.5mm - 50mm | | Lens Aperture | Rear | ϕ 9.1mm | |
| Max. Aperture Ratio | | 1:1.4 | | Back Focal Length | Tele | 7.3mm | |
| Max. Image Format | | 3.2mm x 5.8mm(ϕ 6.6mm) | | | Wide | 11.6mm | |
| Operation Range | Iris | F1.4 - F16C | | Flange Back Length | | 12.5mm | |
| | Focus | 1.0m - Inf. | | Mount | | CS-Mount | |
| | Zoom | 12.5mm - 50mm | | Filter Size | | M40.5 P=0.5mm | |
| Control | Iris | Stepping Motor | | Dimensions | | ϕ 46 mm x 60mm x 58.2 mm | |
| | Focus | Manual | | Weight | | 81g | |
| | Zoom | Manual | | | | | |
| Angle of View | D | 1/2.7 type (16:9) | 30.3° - 7.7° | 1/2.7 type (4:3) | 30.3° - 7.7° | 1/3 type (4:3) | 27.4° - 7.0° |
| | H | | 26.3° - 6.7° | | 24.0° - 6.2° | | 21.7° - 5.6° |
| | V | | 14.5° - 3.8° | | 17.8° - 4.7° | | 16.2° - 4.3° |
| Operating Temperature | | -10°C - +50°C | | | | | |

Dimensions



Wiring Diagram

