

Milesight

# AI Weather-proof Mini Dome Network Camera

NDA A

IP67

IK10



DATASHEET

## KEY FEATURES

- ▶ NDA A Compliance (The fully NDA A-compliant products are well suited for government, defense and a range of projects subject to the NDA A.)
- ▶ Advanced Functions (Boasting to support various advanced functions such as HLC, Defog, ROI.)
- ▶ Built-in Microphone (Supporting audio function to hear what is happening in front of the camera.)
- ▶ SIP (Session Initiation Protocol. Providing audio/alarm/intercom and video streaming for mobile phones and video phones.)
- ▶ 3-Axis Mechanical Design (Featuring 3-axis mechanical design for fast and easy adjustment of the camera's viewing angle.)
- ▶ Smart Stream (Bandwidth, storage and bit rate are saved with Smart Stream On, eg, H.265+ saves 70%~80% bandwidth that of H.264.)

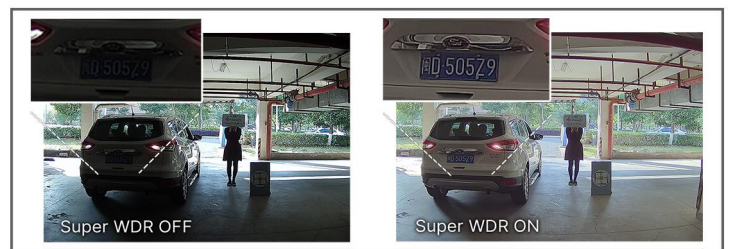
## AI Video Analytics

The AI Camera Series can intelligently filter objects to focus on human and vehicle detection in multiple events such as Region Entrance, Region Exiting, Loitering, Advanced Motion Detection, etc.



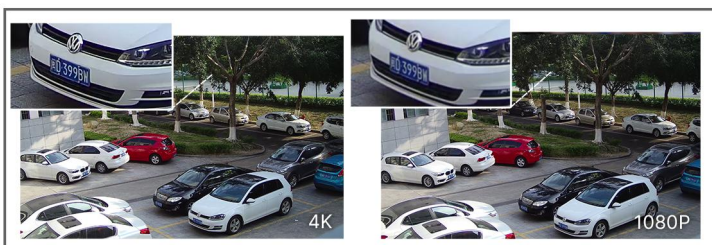
## 120dB Super WDR

Sensor-based WDR technology allows the camera to record greater scene details with true color reproduction even under the extreme back light and high contrast conditions. The ratio that the brightest light signal values divided by the darkest light signal values is up to 120dB.



## 4K Video Viewing Experience

The camera performs well in catching detailed image with 4K HD resolution regardless of the moving speed.



## IP67&IK10

Supporting IP67-rated weather proofing and IK10-rated vandal proof which are the leading level of the industry, the camera is well protected against adverse impact to ensure the performance.



# AI Weather-proof Mini Dome Network Camera



|                 | Model                 | MS-C2975-(R)PD<br>(2MP)  | MS-C5375-PD<br>(5MP)   | MS-C8175-SPD<br>(4K)   |
|-----------------|-----------------------|--|--|--|
| <b>Camera</b>   | Image Sensor          | 1/2.8" Progressive Scan CMOS   |  |  |
|                 | Min. Illumination     | Color: 0.002Lux@F1.2<br>Color: 0.005Lux@F1.6<br>B/W: 0Lux with IR on   | Color: 0.005Lux@F1.2<br>Color: 0.008Lux@F1.6<br>B/W: 0Lux with IR on   | Color: 0.01Lux@F1.2<br>Color: 0.012Lux@F1.6<br>B/W: 0Lux with IR on  |
|                 | WDR                   | 120dB Super WDR  |  |  |
|                 | Lens                  | 2.8mm/4mm/6mm@F1.6   |  |  |
|                 | Mount                 | M12  |  |  |
|                 | Field of View         | H111°/D128°/V61°(2.8mm)<br>H91°/D106°/V50°(4mm)<br>H55°/D63°/V32°(6mm)   | H105°/D131°/V78°(2.8mm)<br>H86°/D108°/V63°(4mm)<br>H52°/D63°/V40°(6mm)   | H110°/D126°/V60°(2.8mm)<br>H91°/D106°/V50°(4mm)<br>H55°/D63°/V32°(6mm)   |
|                 | Shutter Time          | 1/100000s~1s   |  |  |
|                 | IR Distance           | Up to 25m  |  |  |
|                 | Day/Night Mode        | Day/Night/Auto/Customize/Schedule  |  |  |
|                 | S/N                   | >55dB  |  |  |
| <b>Video</b>    | Max. Image Resolution | 1920x1080  | 2592x1944  | 3840x2160  |
|                 | Primary Stream        | 60Hz:<br><b>60fps@(1920x1080)(Optional for R Series)</b> , 30fps@(1920x1080, 1280x960, 1280x720, 704x576)<br>50Hz:<br><b>50fps@(1920x1080)(Optional for R Series)</b> , 25fps@(1920x1080, 1280x960, 1280x720, 704x576) | 60Hz: 30fps@(2592x1944, 2048x1536, 1920x1080, 1280x960, 1280x720, 704x576)<br>50Hz: 25fps@(2592x1944, 2048x1536, 1920x1080, 1280x960, 1280x720, 704x576) | 60Hz/50Hz: 20fps@(3840x2160, 3072x2048, 2592x1944, 2592x1520, 2048x1536, 1920x1080, 1280x960, 1280x720, 704x576) |
|                 | Secondary Stream      | 60Hz: 30fps@(704x576, 640x480, 640x360, 352x288)<br>50Hz: 25fps@(704x576, 640x480, 640x360, 352x288)   | 60Hz: 30fps@(704x576, 640x480, 640x360, 352x288)<br>50Hz: 25fps@(704x576, 640x480, 640x360, 352x288)   |  |
|                 | Tertiary Stream       | 60Hz: 30fps@(1280x720, 704x576, 640x480, 640x360, 352x288)<br>50Hz: 25fps@(1280x720, 704x576, 640x480, 640x360, 352x288)   |  |  |
|                 | Video Compression     | H.265*/H.265(HEVC)/H.264*/H.264/MJPEG  |  |  |
|                 | Video Bit Rate        | 16Kbps~16Mbps(CBR/VBR Adjustable)  |  |  |
|                 | Privacy Masking       | Up to 4 areas  |  |  |
|                 | ROI                   | Up to 8 areas  |  |  |
|                 | Image Setting         | Brightness/Contrast/Saturation/Sharpness   |  |  |
|                 | <b>Interface</b>      | Ethernet   | 1*RJ45 10M/100M Ethernet Port  |  |
| Audio Interface |                       | Built-in Microphone  |  |  |
| <b>Network</b>  | Network Storage       | NAS(Support NFS, SMB/CIFS), ANR  |  |  |
|                 | Protocol              | IPv4/IPv6, ARP, TCP, UDP, RTCP, RTP, RTSP, HTTP, HTTPS, DNS, DDNS, DHCP, FTP, NTP, SMTP, SNMP, UPnP, Bonjour, SIP, PPPoE, VLAN, 802.1x, QoS, IGMP, ICMP, SSL   |  |  |

# AI Weather-proof Mini Dome Network Camera



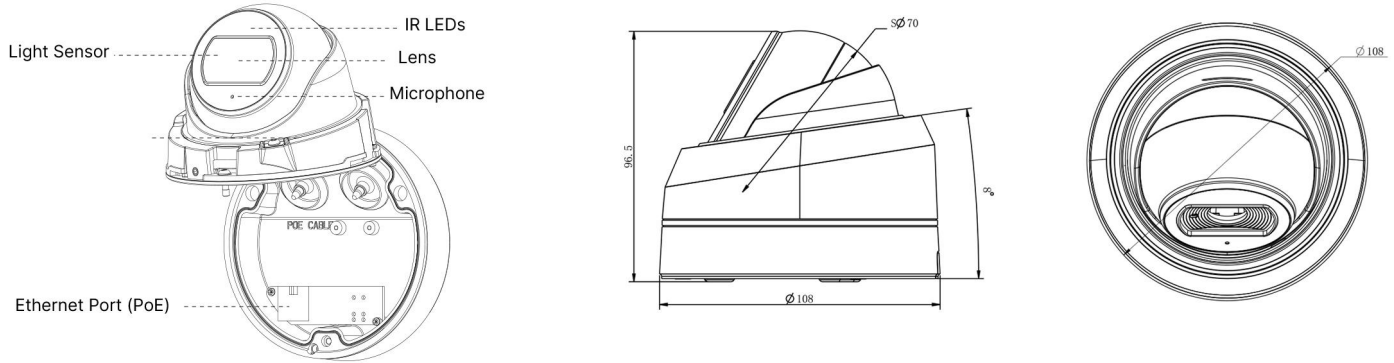
|                              |                      |   |                                   |                                   |
|------------------------------|----------------------|---|-----------------------------------|-----------------------------------|
| <b>Audio</b>                 | Audio Compression    | G.711/AAC/G.722/G.726   |                                   |                                   |
|                              | Audio Sampling Rate  | 8/16/32/48KHz   |                                   |                                   |
|                              | Audio Bit Rate       | 16~256kbps  |                                   |                                   |
|                              | Two-way Audio        | N/A   |                                   |                                   |
| <b>Intelligent Analytics</b> | Video Analysis       | Region Entrance, Region Exiting, Advanced Motion Detection, Tamper Detection, Line Crossing, Loitering, Object Left, Object Removed |                                   |                                   |
| <b>System</b>                | Storage              | Support microSD/SDHC/SDXC Card Local Storage, up to 256G  |                                   |                                   |
|                              | Advanced Function    | BLC, HLC, 2D DNR, 3D DNR, Defog, AWB, IP Address Filtering, AGC, Anti-flicker, Corridor Mode, Deblur                                |                                   |                                   |
|                              | SIP/VoIP Support     | Yes, Voice & Video-over-IP  |                                   |                                   |
|                              | Event Trigger        | Motion Detection, Network Disconnection, Audio Alarm, etc.  |                                   |                                   |
|                              | Event Action         | FTP Upload, SMTP Upload, SD Card Record, SIP Phone, HTTP Notification, etc.   |                                   |                                   |
|                              | System Compatibility | ONVIF Profile G & Q & S & T, API  |                                   |                                   |
| <b>General</b>               | Working Temperature  | -40°C~60°C  |                                   |                                   |
|                              | Working Humidity     | 0~90%(Non-condensing)   |                                   |                                   |
|                              | Power Supply         | PoE (802.3af)   |                                   |                                   |
|                              | Power Consumption    | 3W MAX<br>5.1W MAX (With IR on)   | 3.8W MAX<br>5.8W MAX (With IR on) | 4.6W MAX<br>6.6W MAX (With IR on) |
|                              | Housing              | Vandal-proof IK10-rated Metal Housing / Up to IP67-rated for Weather-resistant Performance  |                                   |                                   |
|                              | Weight               | 600g (Junction Box Version) / 410g (Cable Out Version)  |                                   |                                   |
|                              | Dimensions           | Φ108mmX96.5mm (Junction Box Version) / Φ106mmX76.5mm (Cable Out Version)  |                                   |                                   |
|                              | Warranty             | 3/5 Years   |                                   |                                   |

# AI Weather-proof Mini Dome Network Camera

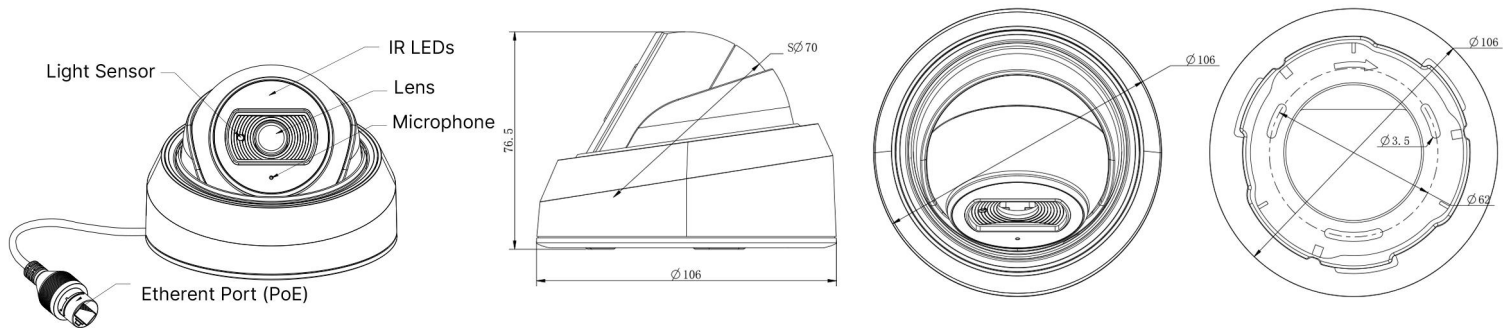


## Structure Diagrams

### Junction Box Version



### Cable Out Version



Units: mm

## Accessories Support

#### A01 Pole Mount

Weight: 720g  
Dimensions: 170\*51.5\*152.6mm



#### A03 External Corner Bracket

Weight: 900g  
Dimensions: 170\*152.5\*76.3mm



#### A71 Wall Mount

Weight: 530g  
Dimensions: 162\*124\*78 mm



#### A81 Recessed Mount

Weight: 450g  
Dimensions: 168.9\*168.9\*91.3mm



#### A83 Junction Box

Weight: 270g  
Dimensions: φ122\*45.5mm



**Milesight Technology** | [www.milesight.com](http://www.milesight.com)  
Contact Us: [sales@milesight.com](mailto:sales@milesight.com) [support@milesight.com](mailto:support@milesight.com)

Add: 220 NE 51st Street, Oakland Park, Florida 33334, USA  
Tel: +1-800-561-0485

Add: 925, Anyang SK V1 Center, LS-ro 116beon-gil, Dongan-gu, Anvng-si, Korea  
Tel: +82-31-990-7732

Add: Building C09, Software Park Phase III, Xiamen 361024, Fujian, China  
Tel: +86-592-5922772

